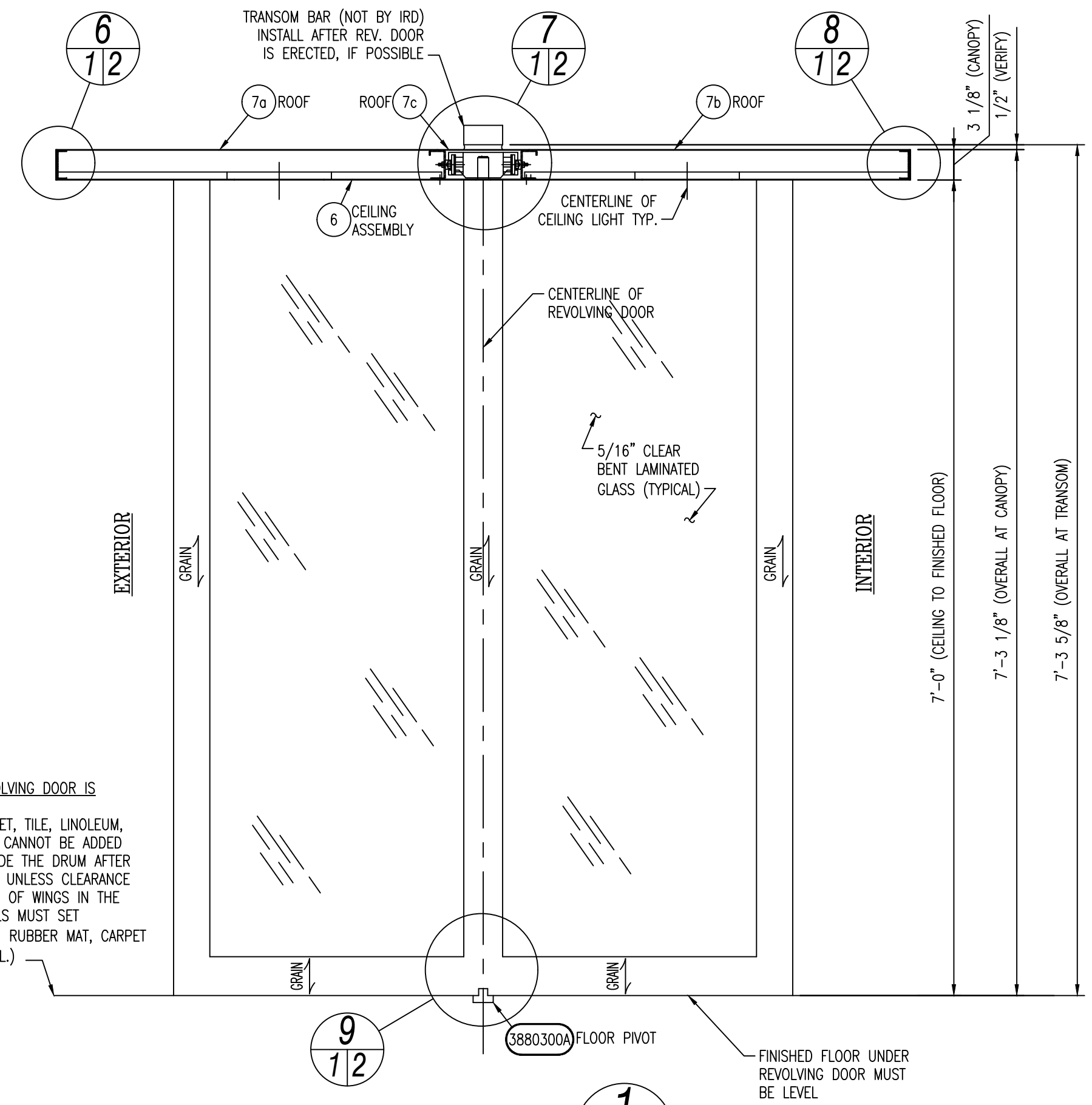


EXTERIOR ELEVATION



SECTION AT 1/11
(WINGS NOT SHOWN)

- ERECTION PROCEDURE**
- LAY OUT ENTRANCE ON FLOOR. FINISH FLOOR MUST BE LEVEL.
 - SET ENCLOSURE WALLS UP IN PLACE. PLUMB AND LEVEL. VERIFY THAT WALLS ARE TO CORRECT RADIUS BY COMPARING TO FLOOR LAYOUT.
 - MARK FLOOR FOR DOWEL LOCATIONS.
 - REMOVE WALLS. DRILL FLOOR FOR DOWELS. REPLACE WALLS AND DOWEL TO FLOOR.
 - PLACE AND SECURE CEILING TO WALLS. PLUMB AND LEVEL ASSEMBLY AND TIE TO SURROUNDING WORK.
 - INSTALL SPEED CONTROL IN CEILING. REMOVE COVER PLATE OF CONTROL AND PLACE PLUMB LINE IN MAIN GEAR HOLE. HANG PLUMB LINE FROM PLUG AND SHIM CONTROL UNTIL PLUMB LINE IS IN EXACT CENTER OF ENCLOSURES. SECURE CONTROL.
 - LOWER PLUMB BOB TO FLOOR AND LOCATE CENTER OF DOOR AT FLOOR. SET FLOOR PIVOT IN EXACT CENTER, LEVEL WITH LEVELING SCREWS. FILL RECESS WITH QUICK-SET CEMENT.
 - REMOVE PLUMB LINE PLUG AND SPEED CONTROL.
 - APPLY LITHIUM MP GREASE TO TOP OF FLOOR PIVOT, AND IN BORE; ALSO TO TOP OF CENTERSHAFT AND GREASE SEAL IN HOLE IN BOTTOM OF SPEED CONTROL.
 - PLACE CENTERSHAFT IN POSITION IN FLOOR PIVOT. CHECK BOTTOM PIVOT PIN TO BE LOCKED DOWN AND ENGAGED INTO FLOOR PIVOT. SHIM TO PROPER HEIGHT. SEE JOB DRAWING, SHEET #2.
 - INSTALL SPEED CONTROL ON CENTERSHAFT. REPLACE SHIMS AT CONTROL TO LOCATE CENTERSHAFT EXACTLY PLUMB. THREAD CONTROL ONTO SHAFT UNTIL BOTTOM OF SPEED CONTROL IS ABOUT 1/16" ABOVE CEILING SHEET. LEVEL & CENTER SPEED CONTROL. TIGHTEN (4) FLANGE NUTS. CHECK ALIGNMENT OF KEYS IN THE SHAFT AND GEAR. ROTATE SHAFT IN THE NORMAL DIRECTION, ONE HALF TO ONE TURN UNTIL KEYSWAY LINE UP. INSERT SHAFT KEYS.
 - ADD OIL TO SPEED CONTROL (TOTAL CONTENTS OF CAN). REPLACE SPEED CONTROL COVER PLATE AND SEAL WITH PERMATEX #2.
 - INSTALL WINGS.
 - GLAZE WALLS. (SEE INSTRUCTION SHEET)
 - INSTALL LOCKKEEPERS.
 - INSTALL ROOF AND SEAL, IF REQUIRED.

NOTE!
ACCESS TO SPACE ABOVE SPEED CONTROL MUST BE FURNISHED AND REMAIN AVAILABLE FOR SERVICE AND ADJUSTMENT.
ACCESS TO THIS SPACE TO BE FURNISHED BY IRD THRU REVOLVING DOOR CEILING.

NOTE!
NUMBERS APPEARING IN THE ○ ARE FOR ERECTION ONLY. POSTS AND CEILING ARE MATCHMARKED IN SHOP.

NOTE!
ALL STEEL REINFORCING TO BE COATED WITH RUST PROHIBITING PAINT.

NOTE!
WINGS ARE EQUIPPED WITH EMERGENCY COLLAPSIBLE MECHANISM.

NOTE!
CONNECTING WORK TO BE DESIGNED TO BRACE & HOLD REV. DOOR SECURELY IN POSITION.

NOTE!
THIS ORDER WILL NOT BE FABRICATED UNTIL:
1. SHOP DRAWINGS ARE RECEIVED MARKED "APPROVED FOR FABRICATION" BY THE GENERAL CONTRACTOR OR OTHER RESPONSIBLE PARTY.
2. FINISH SAMPLE IS RECEIVED MARKED "APPROVED".

"APPROVED FOR DESIGN ONLY" DOES NOT CONSTITUTE SUFFICIENT APPROVAL TO ALLOW FABRICATION TO PROCEED.

INTERNATIONAL REVOLVING DOOR COMPANY WILL NOT BE RESPONSIBLE FOR VERIFICATION OF FIELD DIMENSIONS OR COORDINATION OF DRAWINGS AND DIMENSIONS OF WORK FURNISHED BY OTHER TRADES.

*LOCK CYLINDERS TO BE PROVIDED BY IRD AND TO BE STANDARD 1 5/32" DIAMETER, 1" LENGTH (5-PIN) WITH STANDARD CAMS. SIMILAR TO ILCO UNICAN #PB-7165-YA-1-KA2. LONGER CYLINDERS WILL REQUIRE SPACING COLLARS.

NOTE!
INTERNATIONAL REVOLVING DOOR DOES NOT RECOMMEND THE FOLLOWING TYPES OF FLOORS: SLICK, GLASSY FLOORS CAUSING PEDESTRIAN TO SLIP AND POSSIBLY FALL WHILE PUSHING WINGS, RUBBER MATS CAUSING THE PEDESTRIAN TO EXERT MORE PRESSURE TO PUSH WINGS, OR FULL FLOOR GRILLS CAUSING AIR INFILTRATION.

NOTE!
REVOLVING DOOR IS NOT FREE STANDING AND REQUIRES JAMBS TO STABILIZE AND HOLD REVOLVING DOOR PLUMB.

NOTE!
110V, AC CURRENT REQUIRED FOR CEILING LIGHTS. ENTRANCE COMPONENTS WILL BE PREPARED AT FACTORY FOR PASSAGE OF WIRE IF SOURCE AND/OR ROUTING IS VERIFIED ON APPROVED MARKING.

JOB NOTES

GLAZING
WINGS, REVOLVING DOOR
GLAZE AT: JOB: SHOP:
GLASS BY: INT'L: OTHERS:

WALLS, REVOLVING DOOR
GLAZE AT JOB
GLASS BY: INT'L: OTHERS:

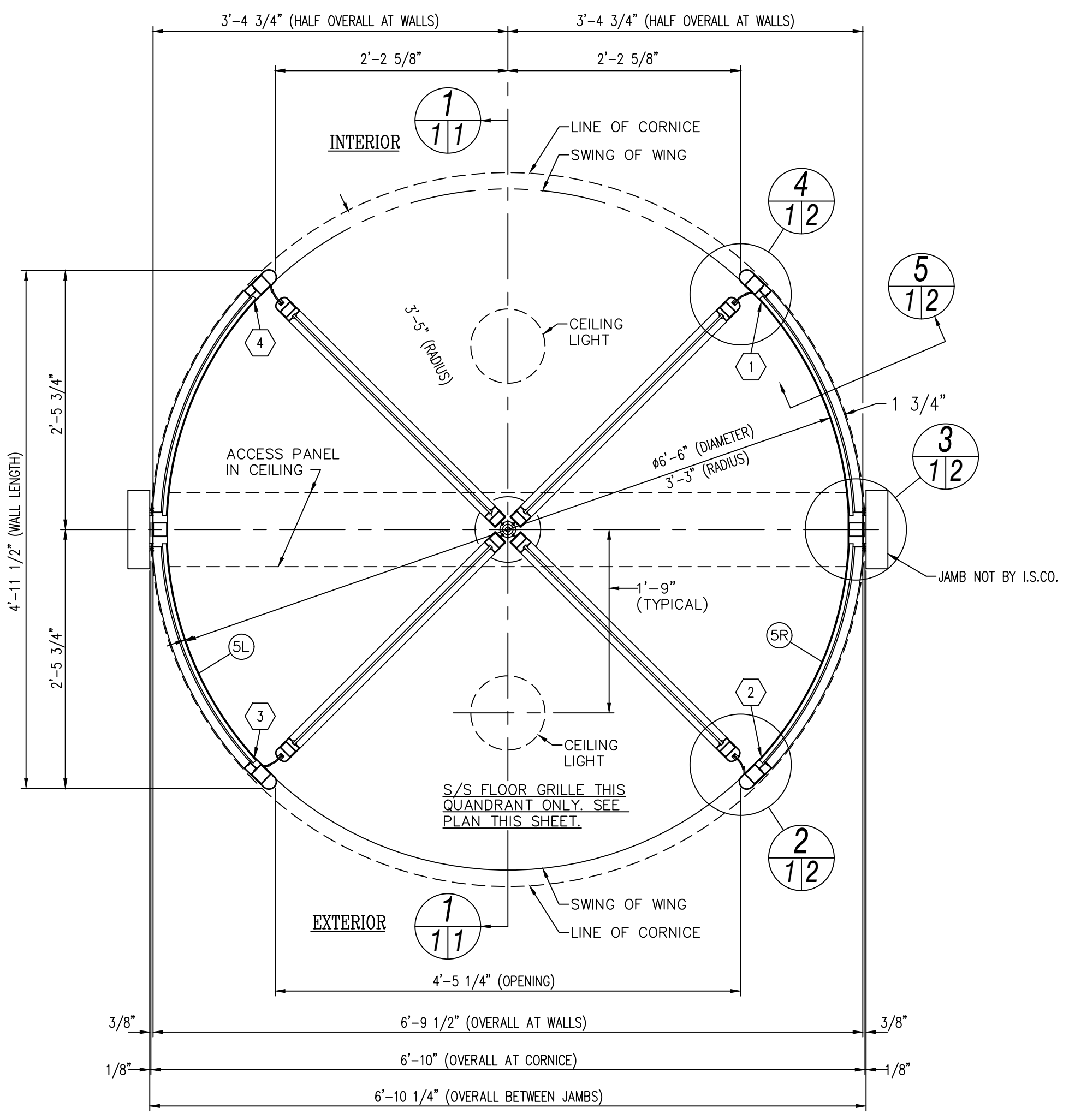
ELECTRIC WIRING AND FIXTURES TO BE FURNISHED BY OTHERS UNLESS SPECIFIED BY INT'L ON THIS DRAWING. RECESS IN FLOOR FOR FLOOR CHECKS, SPEED CONTROL, ETC., TO BE FURNISHED BY OTHERS.

LOCK CYLINDERS *
STANDARD: MASTER KEYS:
BY INT'L: BY OTHERS:

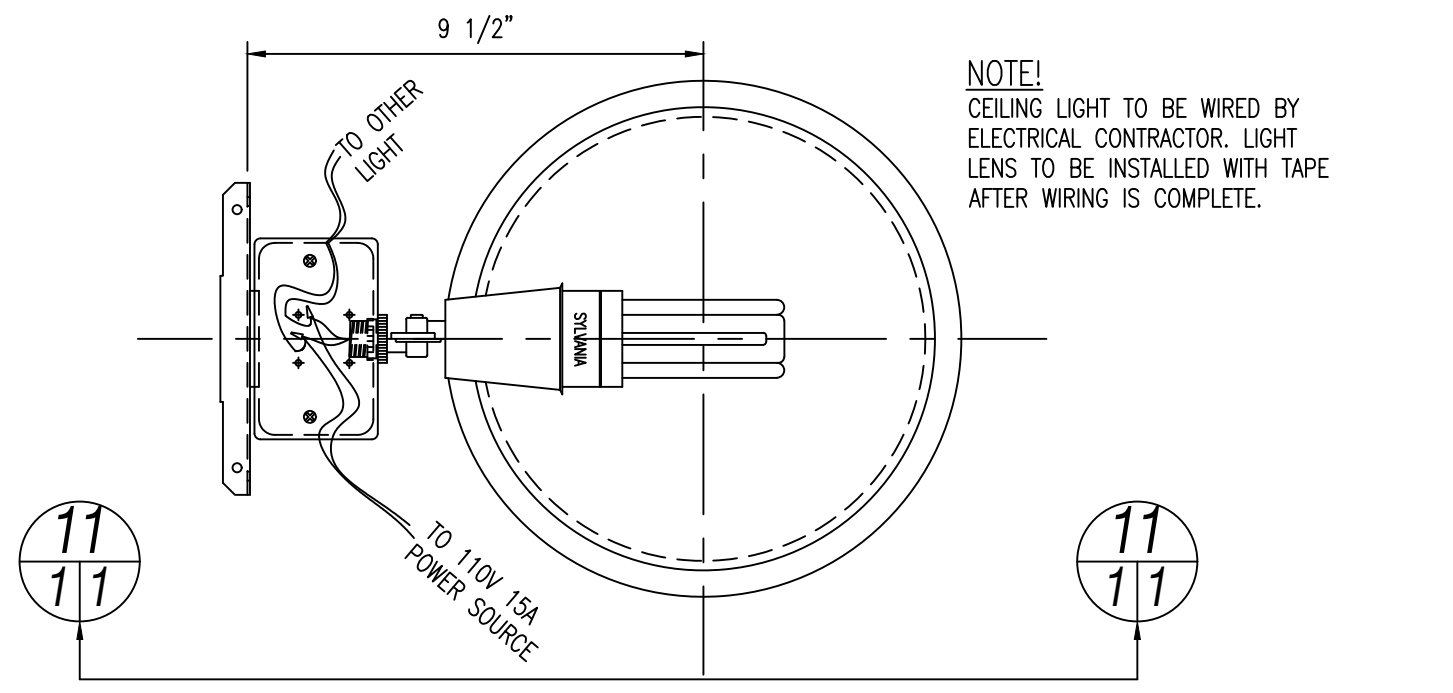
INTERIOR QUARTERLINE LOCKING

EXTERIOR

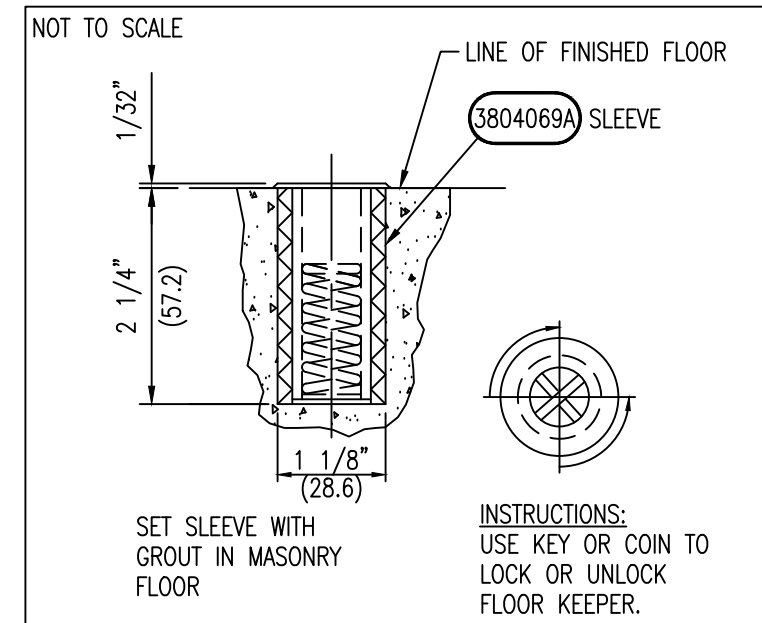
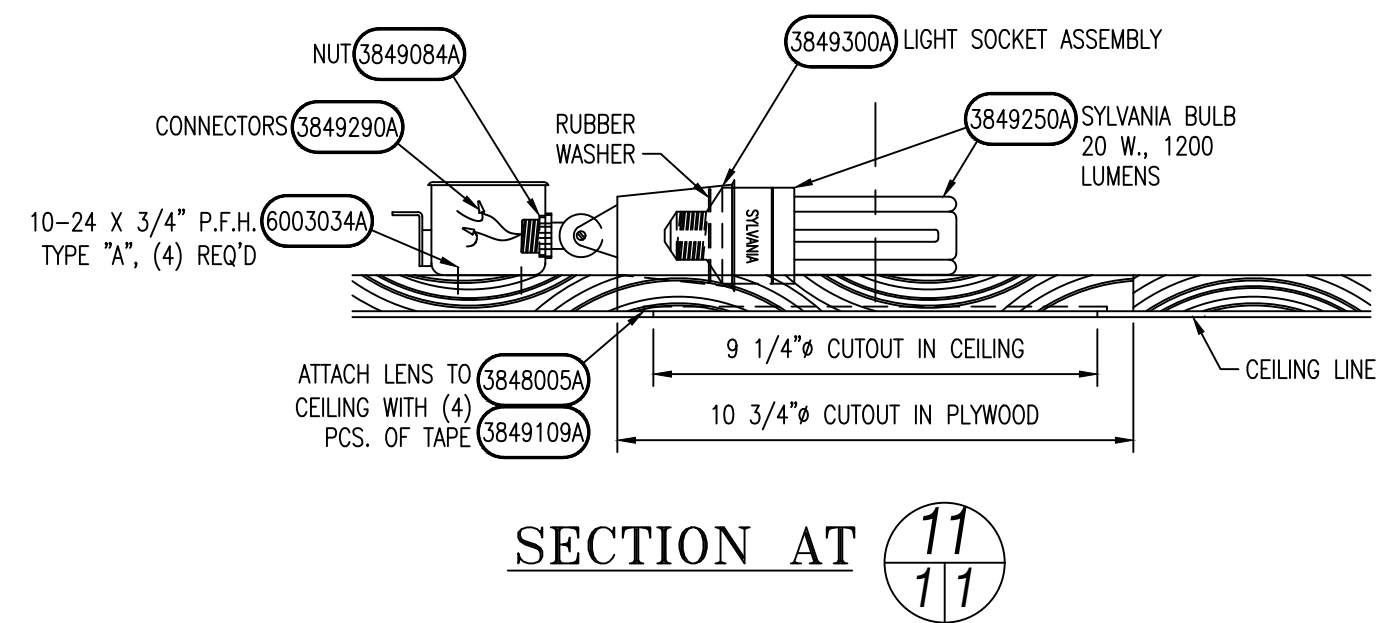
MARK WING NUMBERS AS SHOWN
(1) REV. DOOR PER THESE DETAILS



PLAN VIEW



PLAN OF CEILING LIGHT FROM ABOVE
(ROOF REMOVED)



FLOOR KEEPER #3804122G
HEEL AND DUST PROOF

(6'-6" ϕ x 7'-0" TALL)

INTERNATIONAL REVOLVING DOOR COMPANY
2138 N. SIXTH AVENUE, EVANSVILLE, INDIANA 47710-2895
PH: 812-425-3311 FAX: 812-425-2892 TEL: 800-745-4726
INFO@INTERNATIONALREVOLVINGDOORS.COM WWW.INTERNATIONALREVOLVINGDOORS.COM

JOB: STOCK S/S
LOCATION: --
CONTACT: --
ENTRANCE: --
ARCHITECT: --

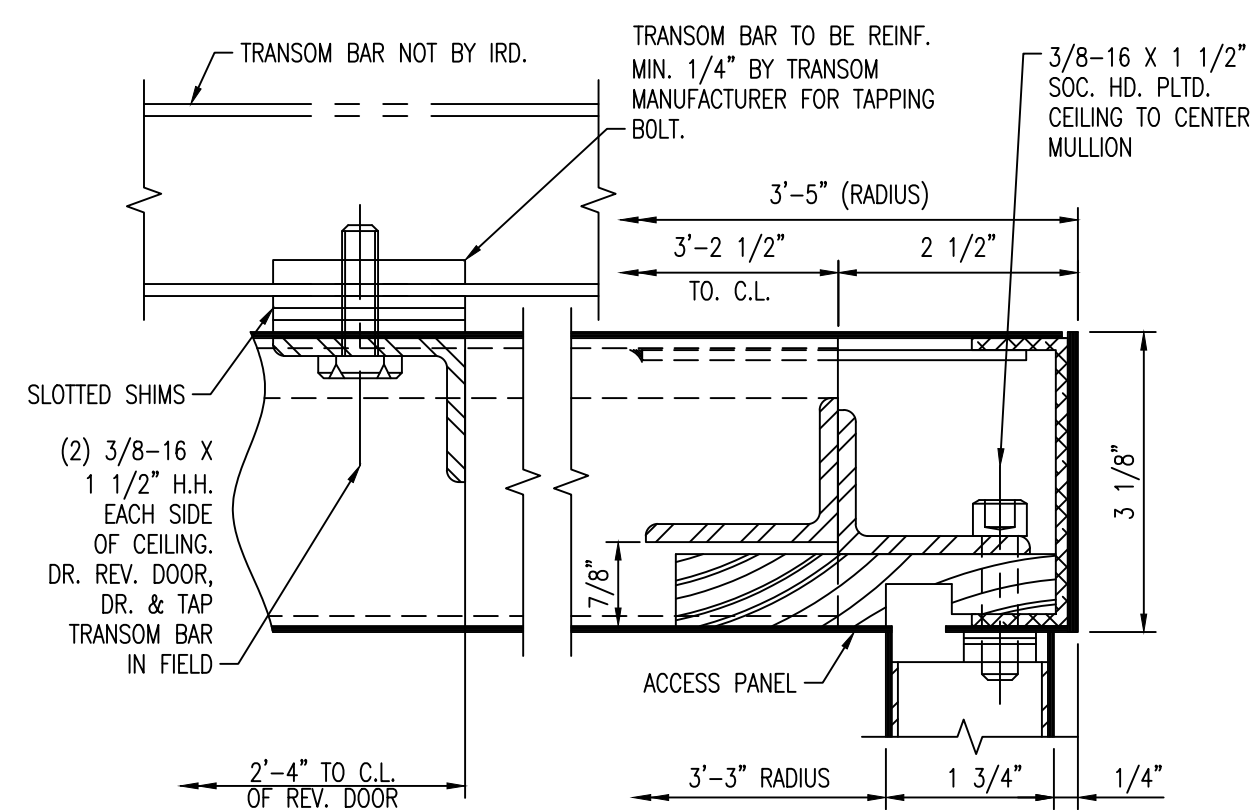
MATERIAL
WINGS - .063" STAINLESS STEEL
WALLS - .063" STAINLESS STEEL
CEILING - .063" STAINLESS STEEL
ROOF - .063" STAINLESS STEEL

FINISH: #4 SATIN
MODEL: SATURN - 4-WING

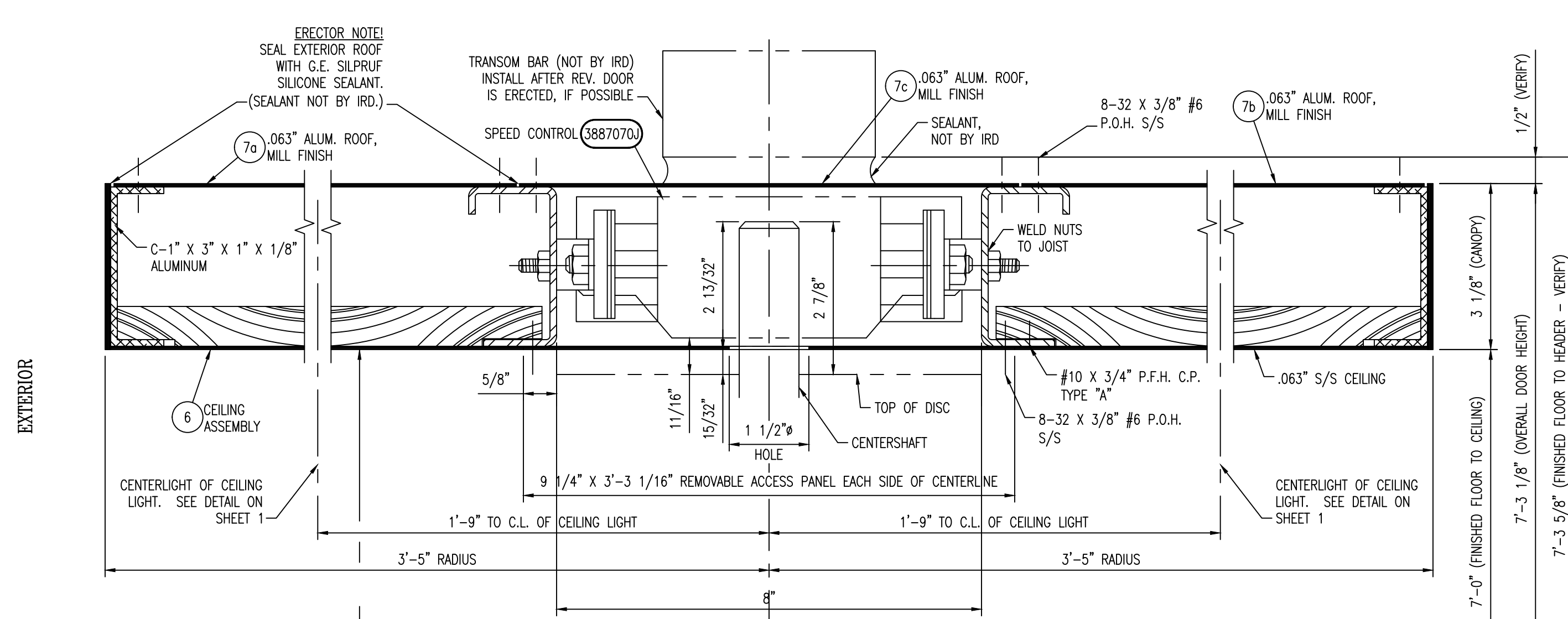
THIS CAD DRAWING IN DESIGN AND DETAIL IS THE PROPERTY OF THE INTERNATIONAL REVOLVING DOOR CO. OF EVANSVILLE, INDIANA AND MUST NOT BE SHOWN, COPIED, REPRODUCED, LOANED OR OTHERWISE DISPOSED OF DIRECTLY OR INDIRECTLY, AND SHALL BE USED ONLY IN CONNECTION WITH ESTIMATES AND WORK OF THIS COMPANY. ALL RIGHTS OF INVENTION ARE RESERVED. THIS DRAWING MUST BE RETURNED WHEN REQUESTED.

DRAWN: MH DATE: 4/27/17 DOOR NO: ---
CHECKED: DATE: DRAWING NO: ---
SCALE: 1" = 1'-0"
SHEET 1 OF 2

ORDER NO. **STOCK S/S**



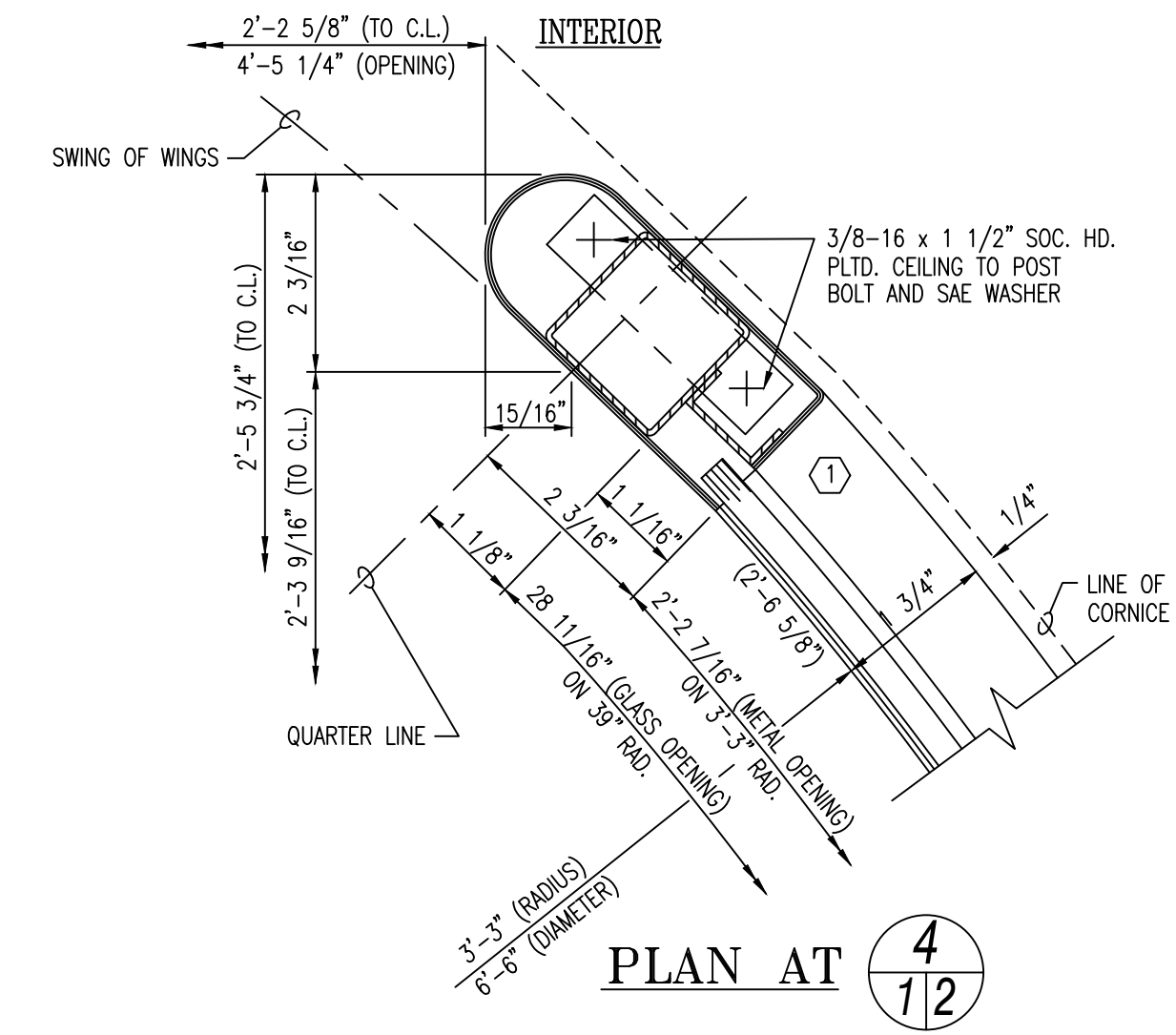
SECTION AT 10/212



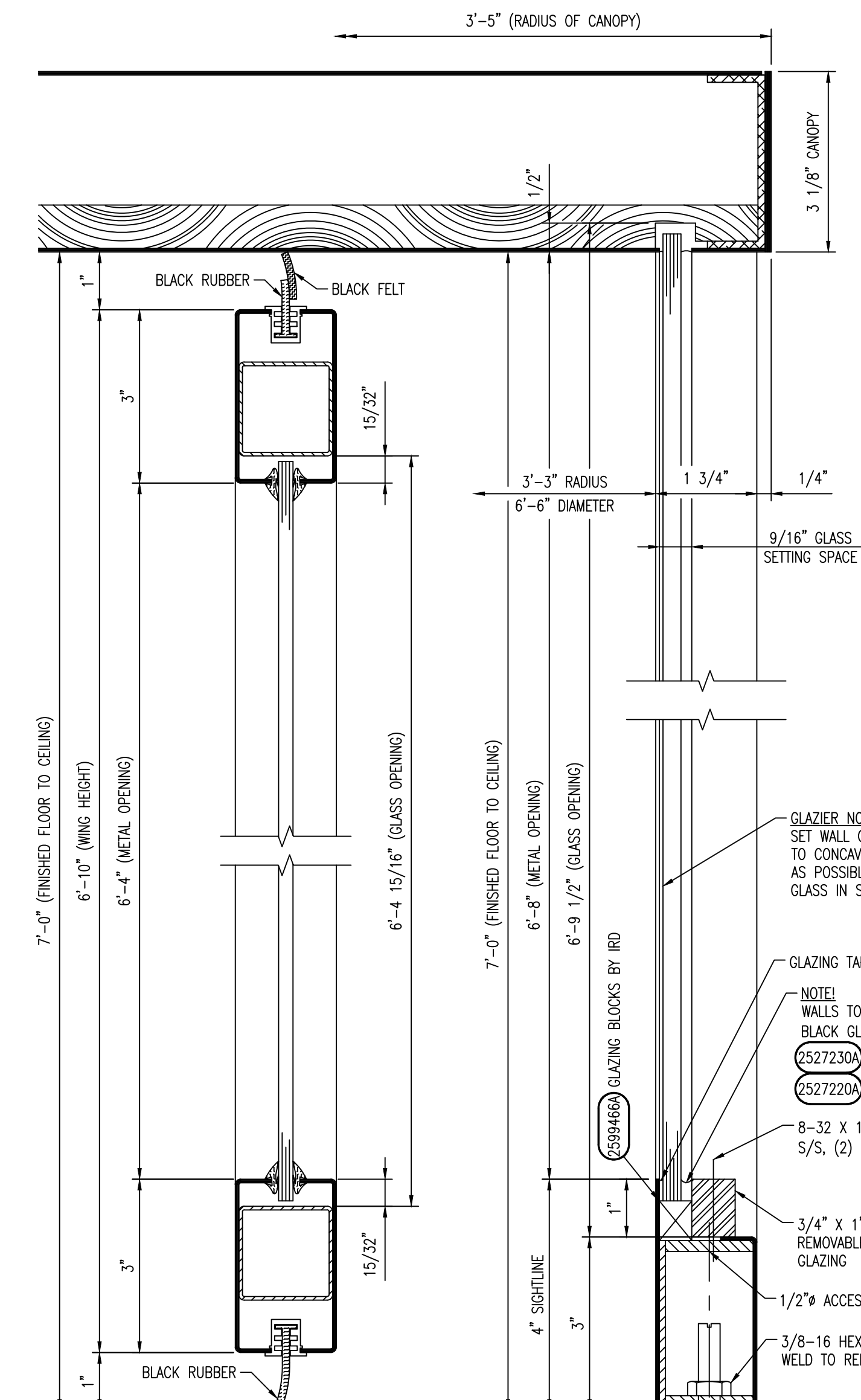
SECTION AT 6/12

SECTION AT 7/12

SECTION AT 8/12

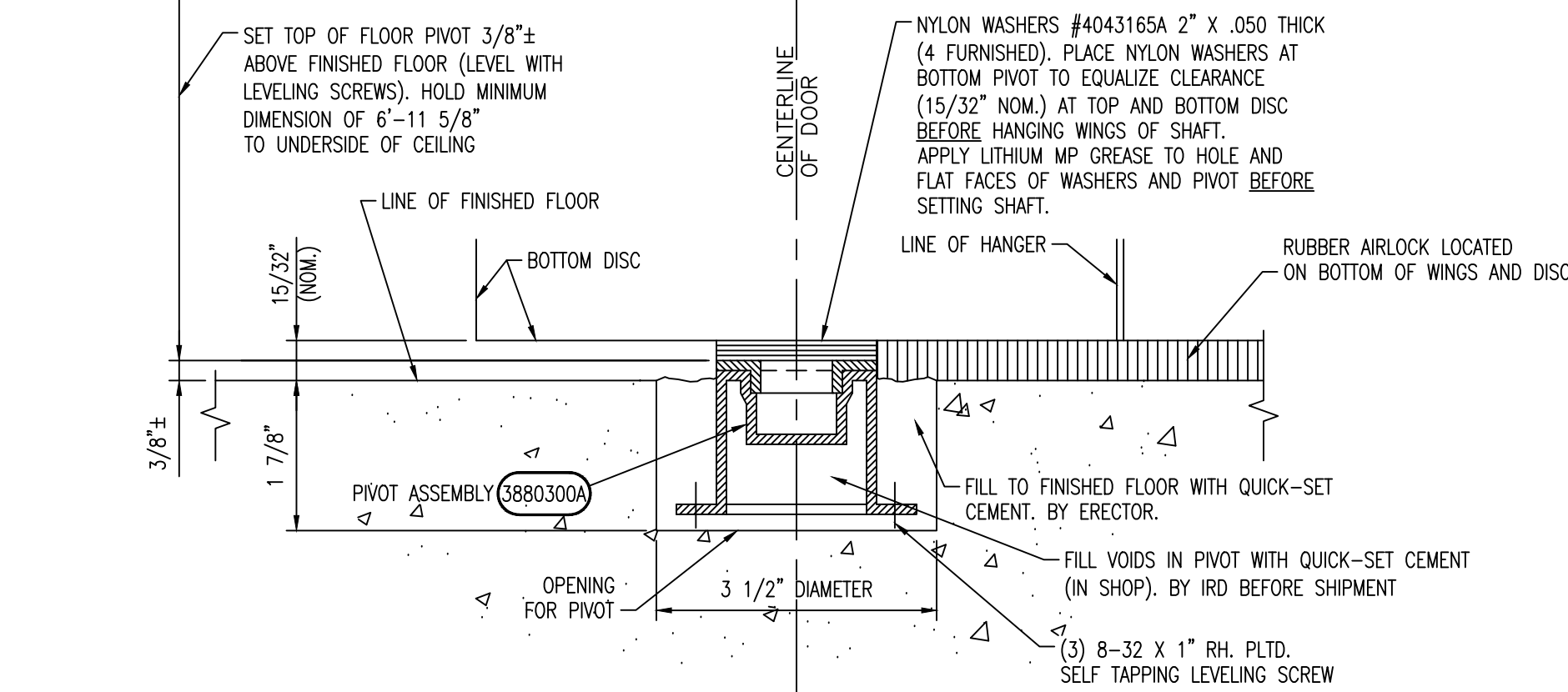


PLAN AT 4/12

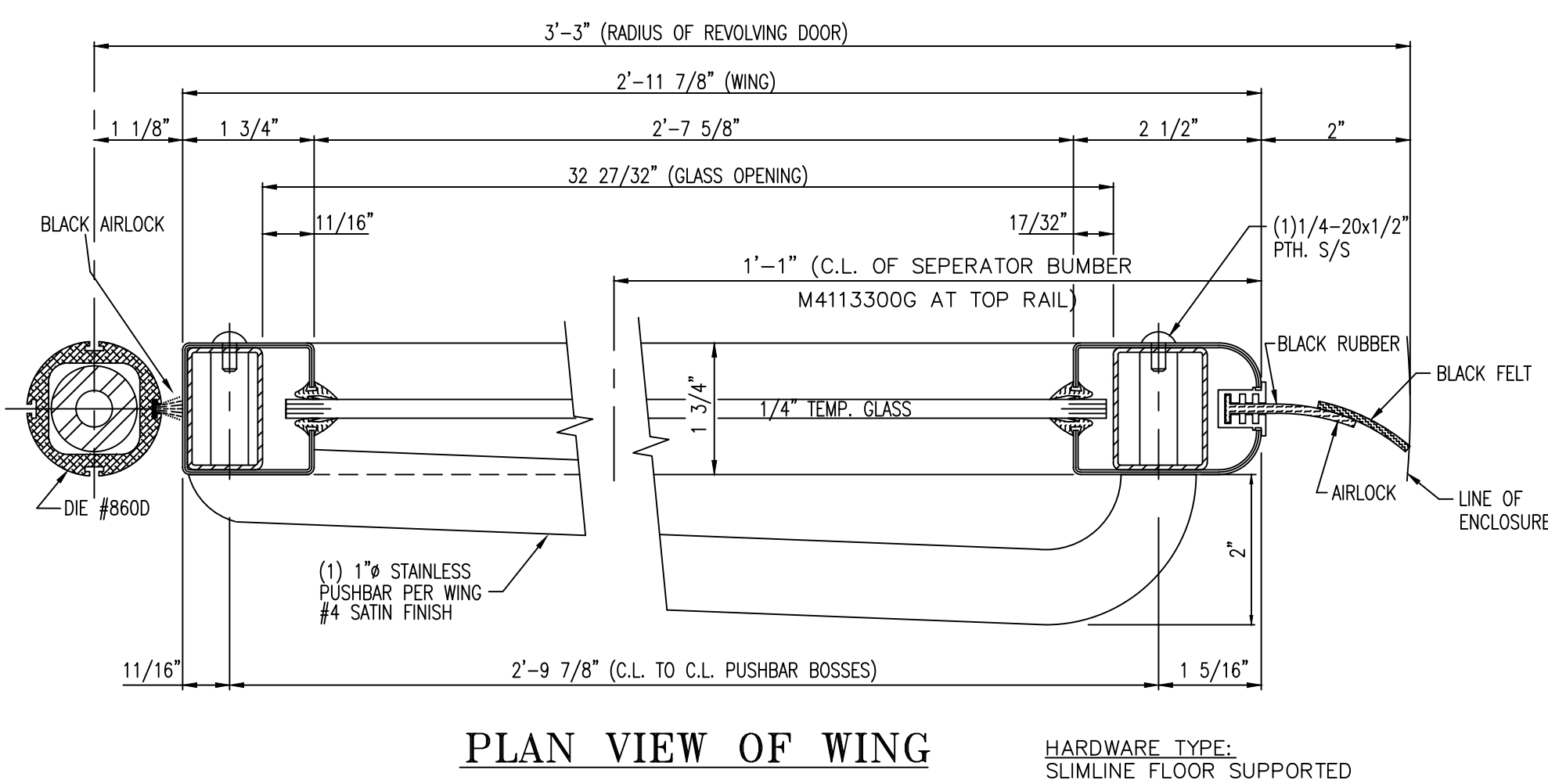


SECTION THRU WING (TYPICAL)

SECTION AT 5/12

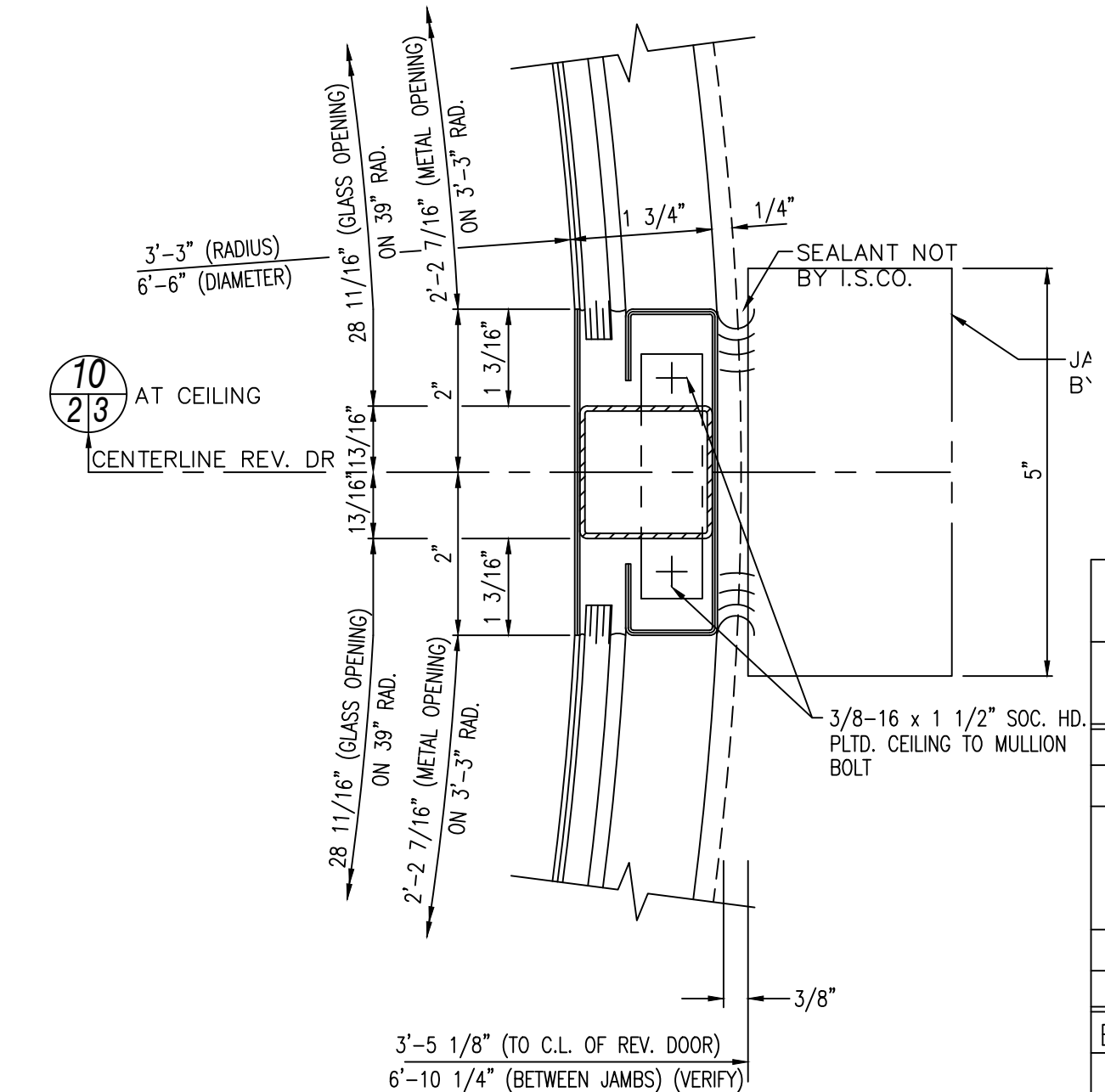


SECTION AT 9/12

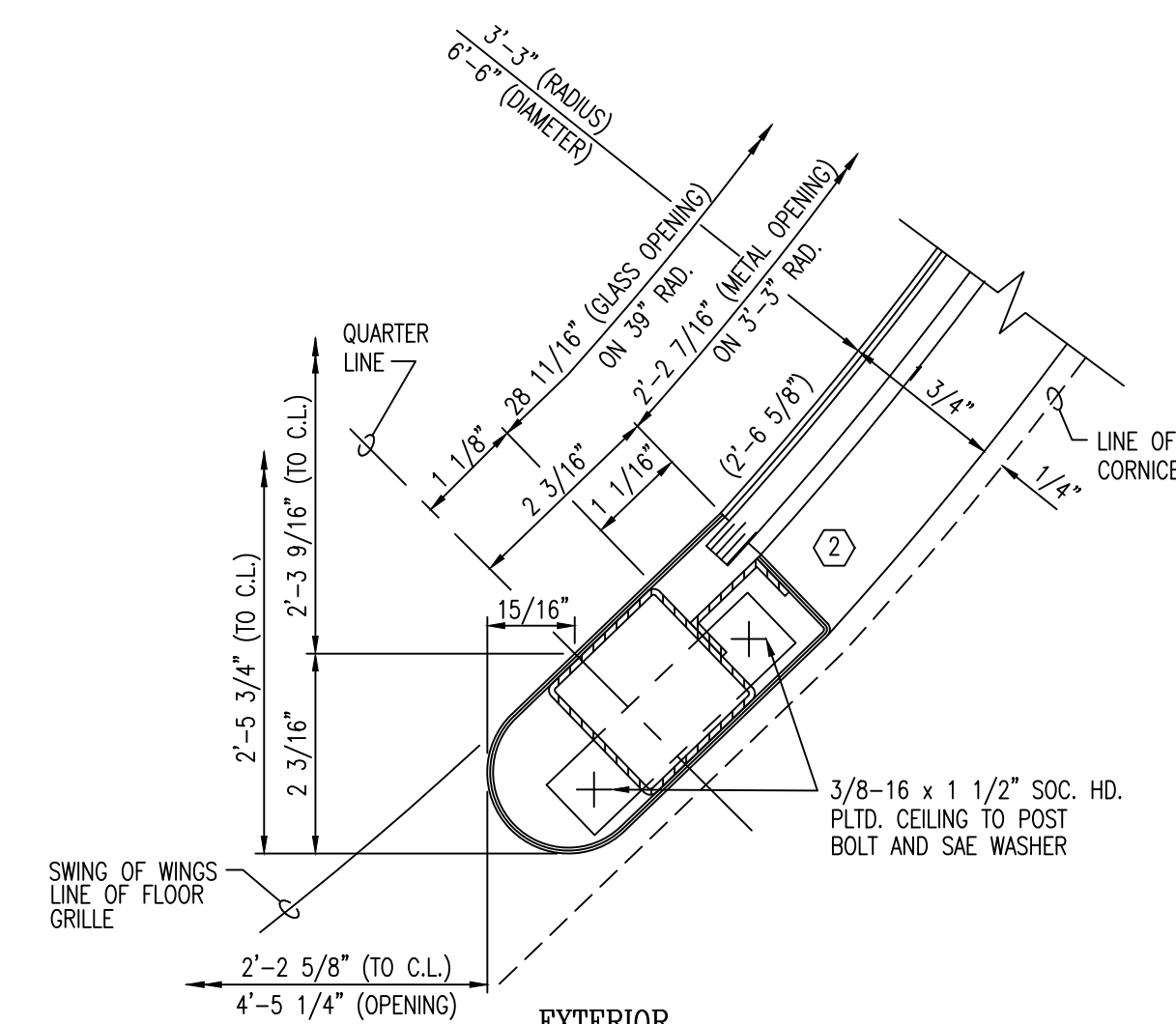


PLAN VIEW OF WING

HARDWARE TYPE: SLIMLINE FLOOR SUPPORTED



PLAN AT 10/212



PLAN AT 2/12

DATE	LOC. KEY	DESCRIPTION	BY		
REVISIONS					
WE ASSUME NO RESPONSIBILITY AS TO MEASUREMENTS OR DETAILS AFFECTING ANY WORK BUT OUR OWN AND ARE NOT RESPONSIBLE FOR ANY ERRORS OCCURRING THRU THE USE OF THIS DRAWING BY OTHER PARTIES.					
PRINTS ISSUED					
NO.	KEY	DATE	NO.	KEY	DATE
EMAIL				AP	
KEY EXPLANATION					
AP - APPROVAL	F.A. - FINAL APPROVAL	ER - ERECTION			
EB - DISTRIBUTION	S.I. - SHOP INSPECTION	RT - REQUEST			
		R.R. - REPR. REFERENCE			

(6'-6" ø x 7'-0" TALL)

INTERNATIONAL REVOLVING DOOR COMPANY
 PH: 812-425-3311 FAX: 812-326-2892 TEL: 800-745-4726
 INFO@INTERNATIONALREVOLVINGDOORS.COM WWW.INTERNATIONALREVOLVINGDOORS.COM

JOB: STOCK S/S		
LOCATION: -		
CONTACT: -		
ENTRANCE: -		
ARCHITECT: -		
DETAIL SYMBOL	MATERIAL	WINGS - .063" STAINLESS STEEL
		WALLS - .063" STAINLESS STEEL
		CEILING - .063" STAINLESS STEEL
		ROOF - .063" STAINLESS STEEL
		FINISH: #4 SATIN
		MODEL: SATURN - 4-WING
THIS CAD DRAWING IN DESIGN AND DETAIL IS THE PROPERTY OF THE INTERNATIONAL REVOLVING DOOR CO. OF EVANSVILLE, INDIANA AND MUST NOT BE SHOWN, COPIED, REPRODUCED, LOANED OR OTHERWISE DISPOSED OF DIRECTLY OR INDIRECTLY, AND SHALL BE USED ONLY IN CONNECTION WITH ESTIMATES AND WORK OF THIS COMPANY. ALL RIGHTS OF INVENTION ARE RESERVED. THIS DRAWING MUST BE RETURNED WHEN REQUESTED.		
DRAWN: MH	DATE: 4/27/17	DOOR NO: ---
CHECKED: -	DATE: -	DRAWING NO: ---
SCALE: 1:2	ORDER NO: STOCK	
SHEET 2 OF 2		